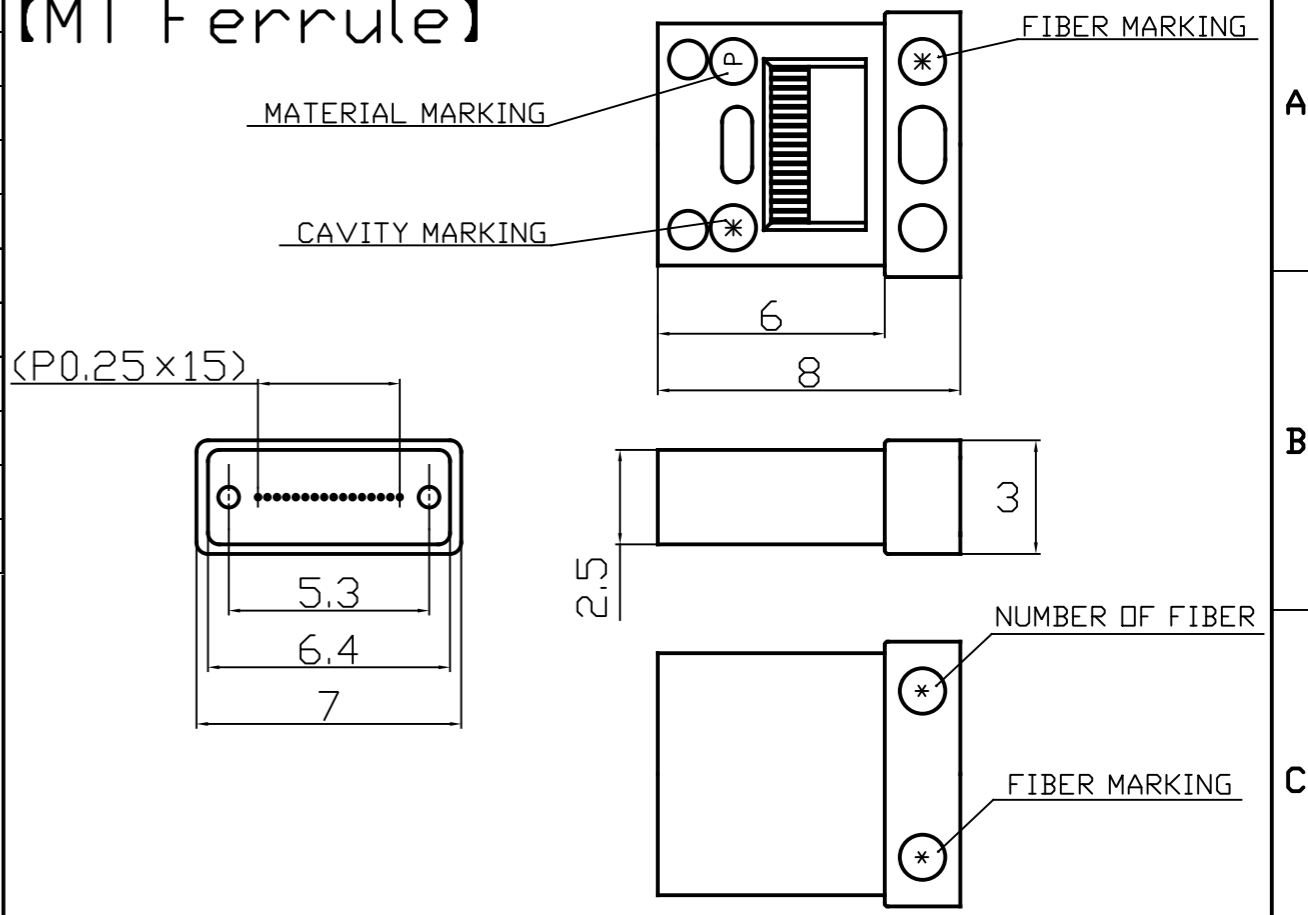


1	2	3	4
TRANSMISSION TYPE	GRADE	Part No.	PRODUCT NAME
A SINGLE-MODE	Super Low Loss	90A11619	16MT-PA-SLS(NB)-SI
		90A11613	16MT-PA-SLS(NB)-SI-WOB
	Standard Loss	90A11661	16MT-PA-S(NB)-VP
		90A11668	16MT-PA-S(NB)-VP-WOB
B MULTIMODE	Super Low Loss	90A11662	16MT-PA-SLM(NB)-VP
		90A11667	16MT-PA-SLM(NB)-VP-WOB
		90A11664	16MT-PF-SLM(NB)-VP
		90A11666	16MT-PF-SLM(NB)-VP-WOB
	Standard Loss	90A11663	16MT-PF-M(NB)-VP
		90A11665	16MT-PF-M(NB)-VP-WOB

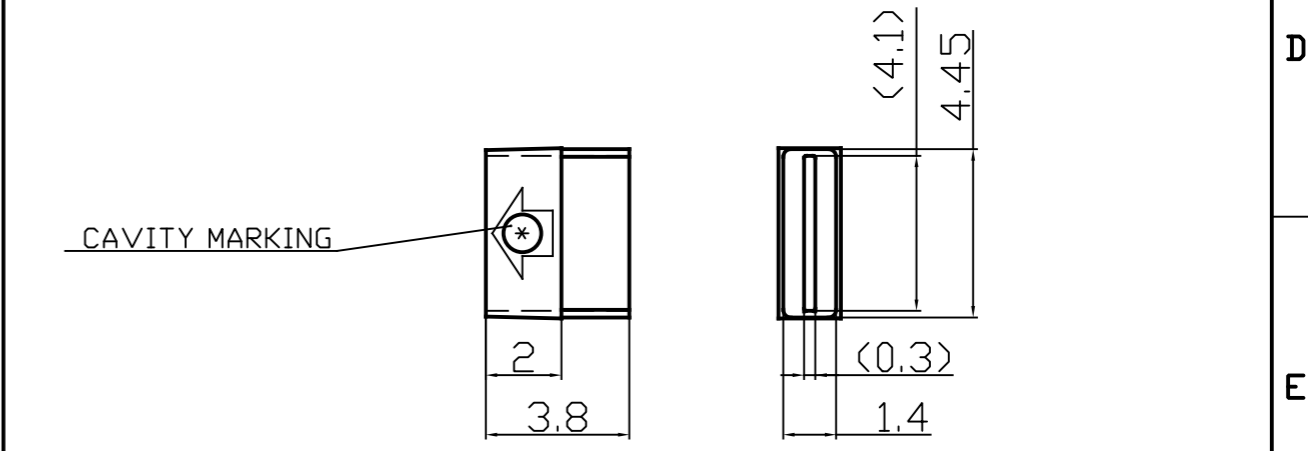
【MT Ferrule】



16MT	-	P	A	-	SLS	(NB)	-	SI	-	WOB
①		②	③		④			⑤		⑥

- ① : Connector fiber count - 16MT : 16 fiber counts MT ferrule
- ② : MT Material - P : PPS
- ③ : Polishing - A : For Angle polishing
F : For Flat Polishing
- ④ : Grade - SLS : Super Low Loss Single-mode
S : Standard Loss Single-mode
SLM : Super Low Loss Multimode
M : Standard Loss Multimode
- ⑤ : Condition 1 - SI : Sampling Inspection
VP : Vacuum Packaging by Sampling Visual Inspection
- ⑥ : Condition 2 - WOB : Without Boot

【MT Boot】



NOTES;

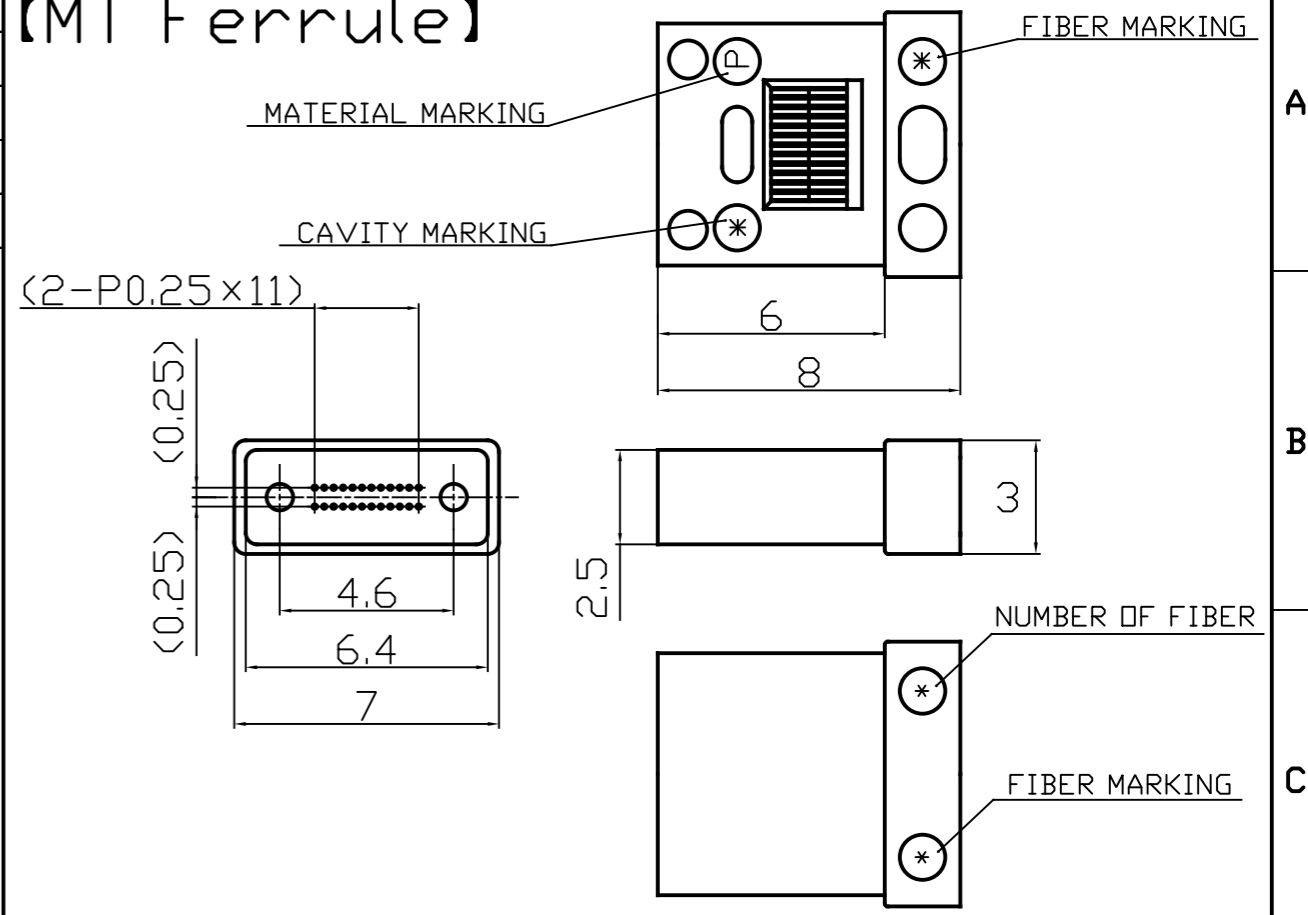
1. This document shows the outline of our MT ferrule and boot with the Parts Number table.
Please contact us for customers' drawing to show specific dimensions if necessary.

APPROVED BY		T.Saitoh	UNIT	mm	DATE	24, Jul. 2025
SECTION HEAD		H.Ohta	SCALE	5/1	NAME	16MT Connector series
CHIEFING						Lineup
CHECKED BY			TRIANGLE PROJECTION	DRAWING No.	90A11656	
DESIGNED BY		H.Ohta				
COPIED BY						
2	2026.01.19	Changes to the listed product varieties.	H.Ohta			
1	2025.07.24	Create a new.	H.Ohta			
REV	DATE	REVISION RECORD		BY		



1	2	3	4
TRANSMISSION TYPE	GRADE	Part No.	PRODUCT NAME
SINGLE-MODE	Standard Loss	90A11450	24MT-PA-S(NB)
MULTIMODE	Super Low Loss	90A11453	24MT-PF-SLM(NB)
	Standard Loss	90A11544	24MT-PF-SLM(NB)-WOB
		90A11330	24MT-PF-M(NB)

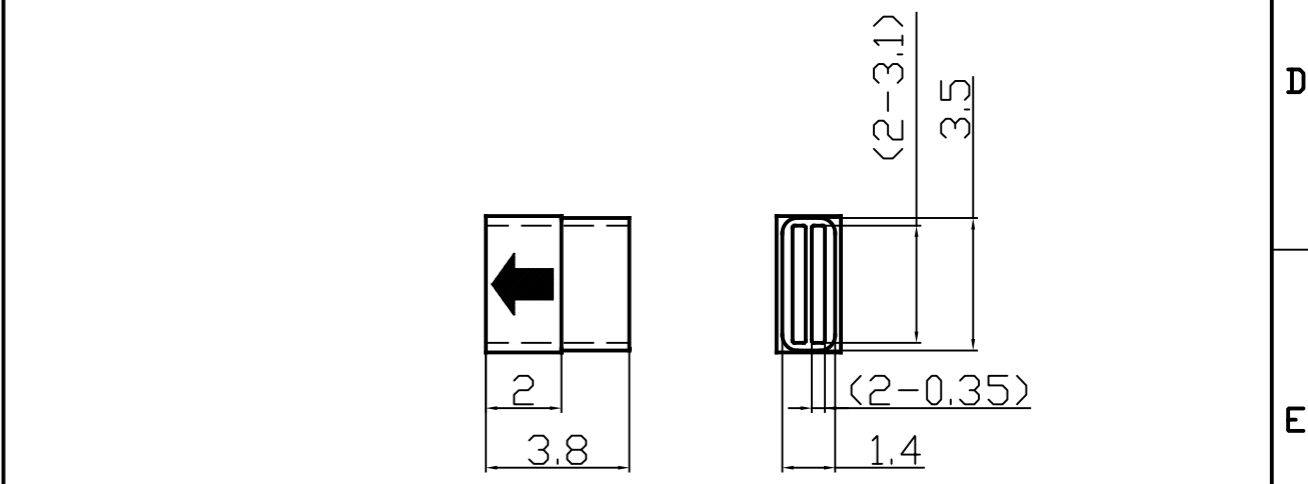
【MT Ferrule】



<u>24MT</u>	-	<u>P</u>	-	<u>F</u>	-	<u>SLM</u>	(NB)	-	<u>WOB</u>
①		②		③		④			⑤

- ① : Connector fiber count - 24MT : 24 fiber counts MT ferrule
- ② : MT Material - P : PPS
- ③ : Polishing - A : For Angle polishing
F : For Flat Polishing
- ④ : Grade - S : Standard Loss Single-mode
SLM : Super Low Loss Multimode
M : Standard Loss Multimode
- ⑤ : Condition - WOB : Without Boot

【MT Boot】



NOTES;

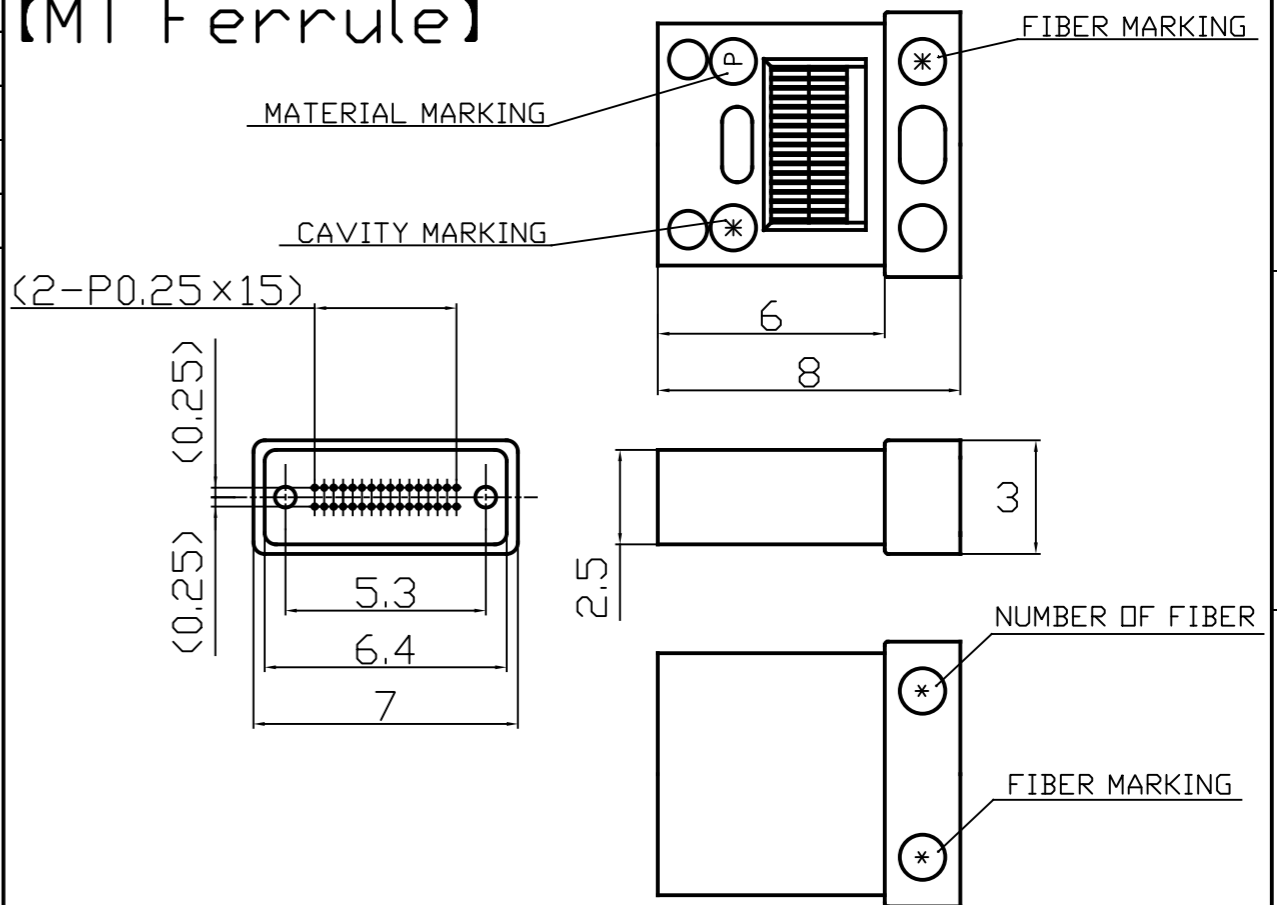
1. This document shows the outline of our MT ferrule and boot with the Parts Number table.
Please contact us for customers' drawing to show specific dimensions if necessary.

		APPROVED BY	T.Saitoh	UNIT	mm	DATE	24, Jul. 2025
		SECTION HEAD	H.Ohta	SCALE	5/1	NAME	24MT Connector series
		CHIEFING					Lineup
		CHECKED BY		TRIANGLE PROJECTION			
		DESIGNED BY	H.Ohta				
		COPIED BY		DRAWING No.		90A11657	
1	2025.07.24	Create a new.		BY		H.Ohta	
REV	DATE	REVISION RECORD					



1	2	3	4
TRANSMISSION TYPE	GRADE	Part No.	PRODUCT NAME
MULTIMODE	Super Low Loss	90A11648	32MT-PA-SLM(NB)
		90A11647	32MT-PF-SLM(NB)
	Standard Loss	90A11503	32MT-PF-M(NB)
		90A11504	32MT-PF-M(NB)-WOB

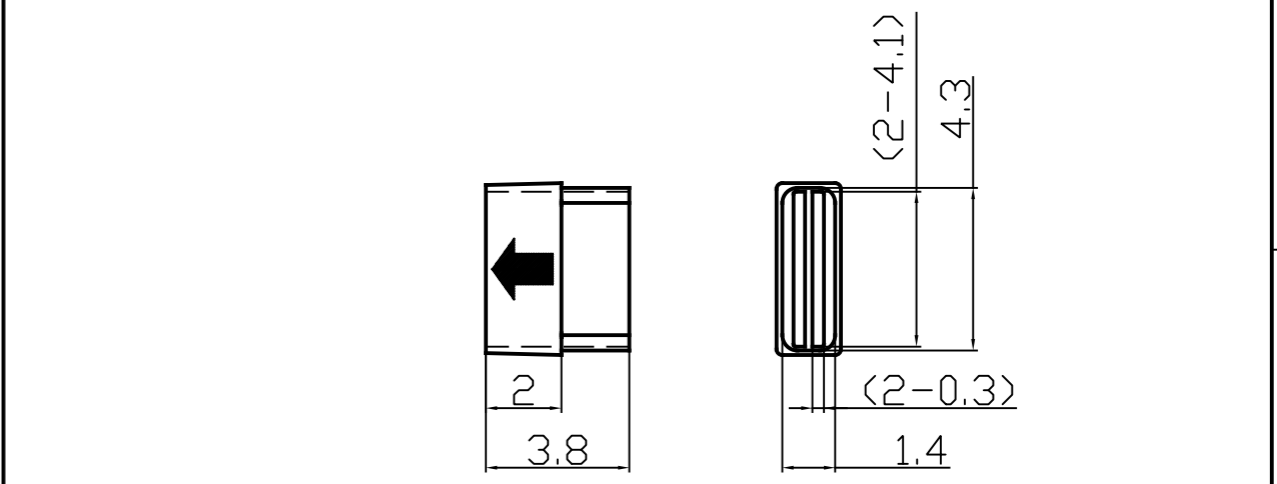
【MT Ferrule】



<u>32</u> MT	-	<u>P</u>	<u>F</u>	-	<u>M</u>	(NB)	-	<u>WOB</u>
①		②	③		④			⑤

- ① : Connector fiber count - 32MT : 32 fiber counts MT ferrule
- ② : MT Material - P : PPS
- ③ : Polishing - A : For Angle polishing
F : For Flat Polishing
- ④ : Grade - SLM : Super Low Loss Multimode
M : Standard Loss Multimode
- ⑤ : Condition - WOB : Without Boot

【MT Boot】



NOTES;
 1. This document shows the outline of our MT ferrule and boot with the Parts Number table.
 Please contact us for customers' drawing to show specific dimensions if necessary.

APPROVED BY T.Saitoh		UNIT	mm	DATE	24, Jul. 2025
SECTION HEAD H.Ohta		SCALE	5/1	NAME	32MT Connector series
CHIEFING					Lineup
CHECKED BY		TRIANGLE PROJECTION	DRAWING No. 90A11658		
DESIGNED BY H.Ohta					
COPIED BY					
1	2025.07.24	Create a new.			
REV	DATE	REVISION RECORD			

