

1 2 3 4 5 6 7 8

A

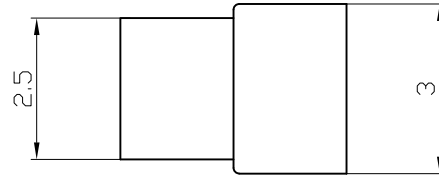
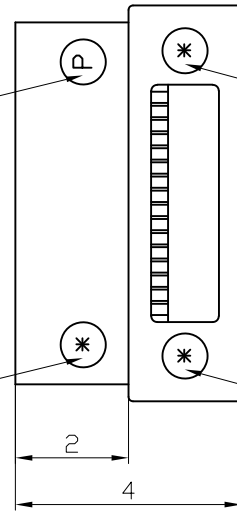
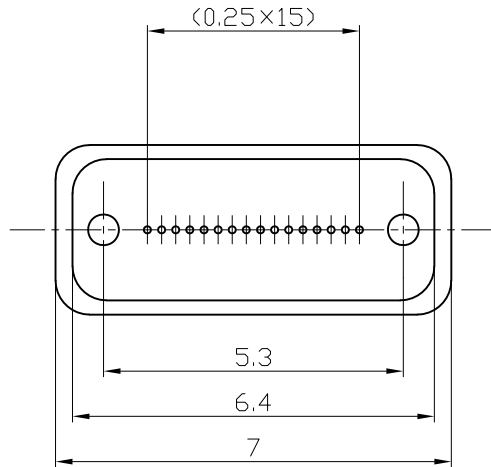
A

MATERIAL MARKING

FIBER MARKING

CAVITY MARKING

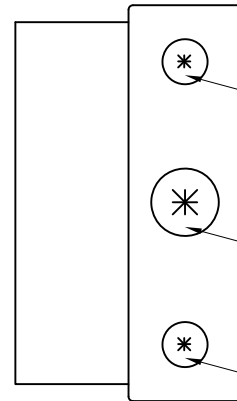
NUMBER OF FIBER



NUMBER OF FIBER
FIBER MARKING

IDENTIFICATION MARKING

FIBER MARKING



RoHS	RoHS Certificate		TOLERANCES UNLESS OTHERWISE SPECIFIED:		± 0.1
MATERIAL	PPS		UNIT	mm	DATE
APPROVED BY	M.kobayashi	SCALE	10/1	NAME	MTCOMPACT Short for 16F
SECTION HEAD	S.Ueno	TRIANGLE PROJECTION			
CHIEFING					
CHECKED BY	M.kobayashi	DRAWING No.		ORD2026-023	
DESIGNED BY	S.Ueno	Hakusan Inc.			
COPIED BY					
ISSUE	DATE	REVISION	RECORD	BY	

D

D

E

E

F

F

1 2 3 4 5 6 7 8

1 2 3 4 5 6 7 8

A

B

C

D

E

F

A

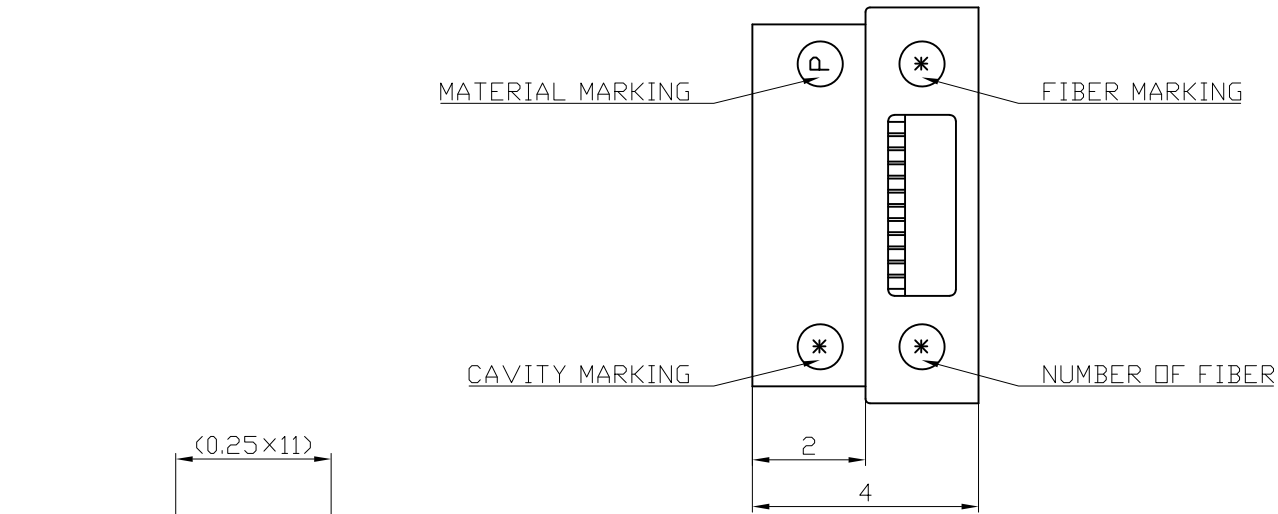
B

C

D

E

F

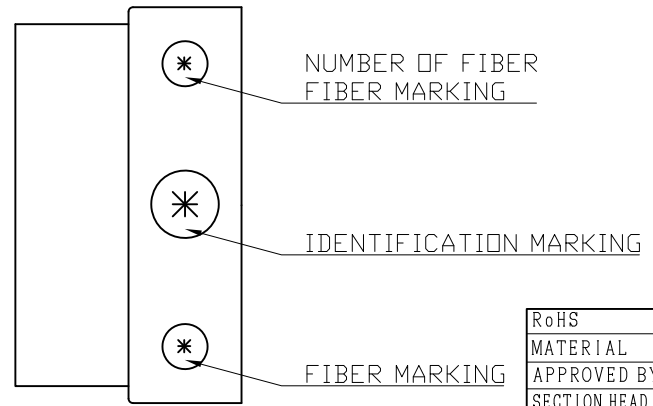
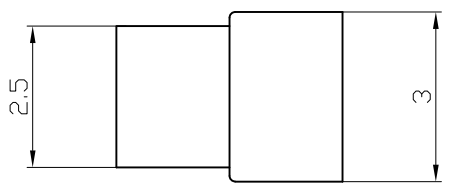
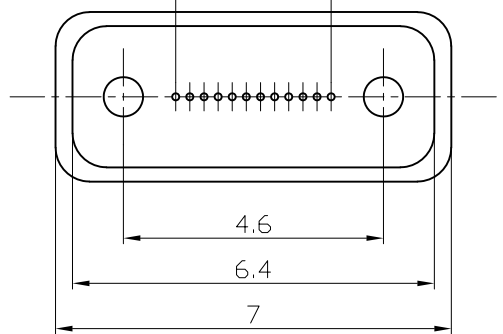
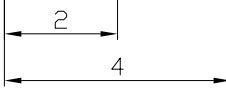


MATERIAL MARKING

FIBER MARKING

CAVITY MARKING

NUMBER OF FIBER



NUMBER OF FIBER
FIBER MARKING

IDENTIFICATION MARKING

FIBER MARKING

RoHS	RoHS Certificate		TOLERANCES UNLESS OTHERWISE SPECIFIED:		± 0.1
MATERIAL	PPS		UNIT	mm	DATE
APPROVED BY	M.kobayashi	SCALE	10/1	NAME	MTCOMPACT Short for 12F
SECTION HEAD	S.Ueno	TRIANGLE PROJECTION			
CHIEFING					
CHECKED BY	M.kobayashi				
DESIGNED BY	S.Ueno	Hakusan Inc.		DRAWING No.	ORD2026-024
COPIED BY					
ISSUE	DATE	REVISION	RECORD	BY	

1 2 3 4 5 6 7 8